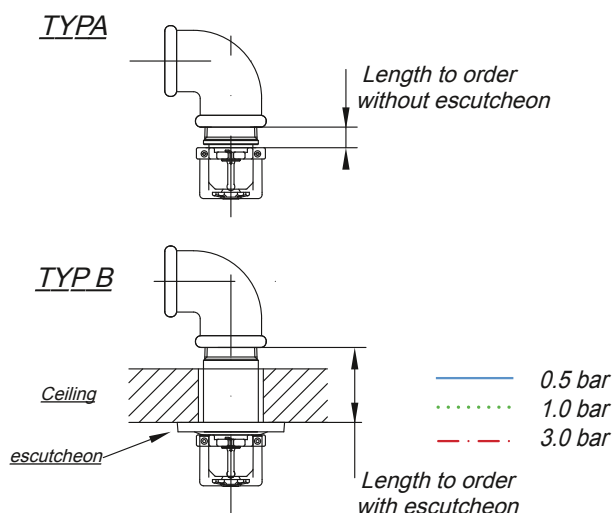
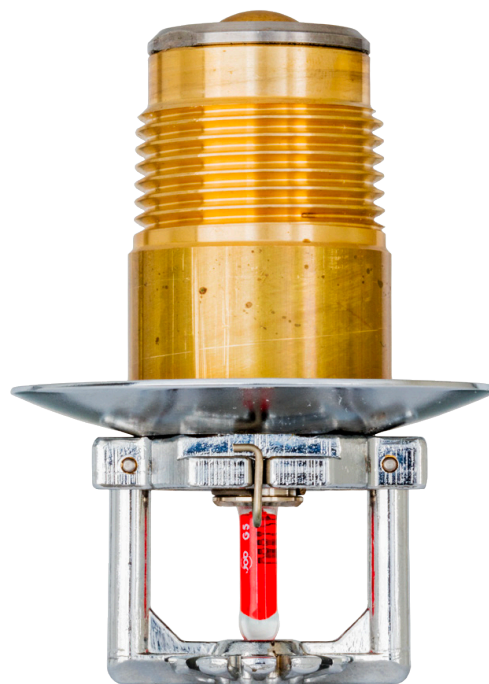


MINI DRY SPRINKLER

DRY SPRINKLER

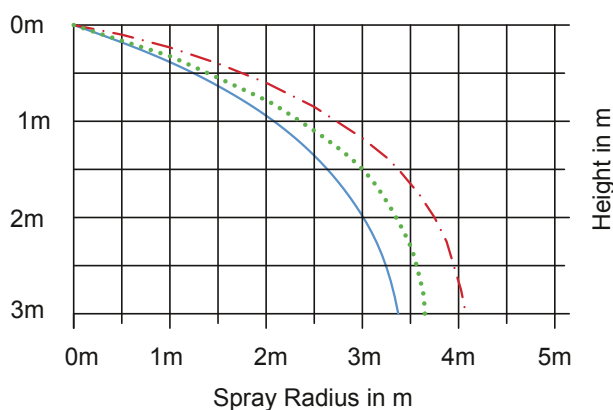
Pendent type B with rosette

Module consisting of a sprinkler and a downpipe with a valve at the top end. An internal mechanical system holds the valve in a closed position which is only released when the sprinkler is activated. Application field: in cold-storage rooms or drying installations where pendent sprinklers must be installed. For rooms with an opening where the sprinkler reaches from a heated space into a space with risk of frost.



Spray Pattern

DASP K57



Following versions are available:

DESCRIPTION	LENGTH IN MM	FLOW RATE VALUE	FITTINGS	SURFACE	K-FACTOR	TEMPERATURE RANGE
DASP	12 - 59 mm	10 mm	1"	raw (uncoated), bright chrome, matt chrome, varnished (RAL)	57	57 °C, 68 °C, 79 °C, 93 °C, 141 °C, 182 °C, 260 °C
DBSP	12 - 59 mm	15 mm	1"		80	
TI values: Normal RTI 105, Special RTI 55				CE tested	VdS Approved	